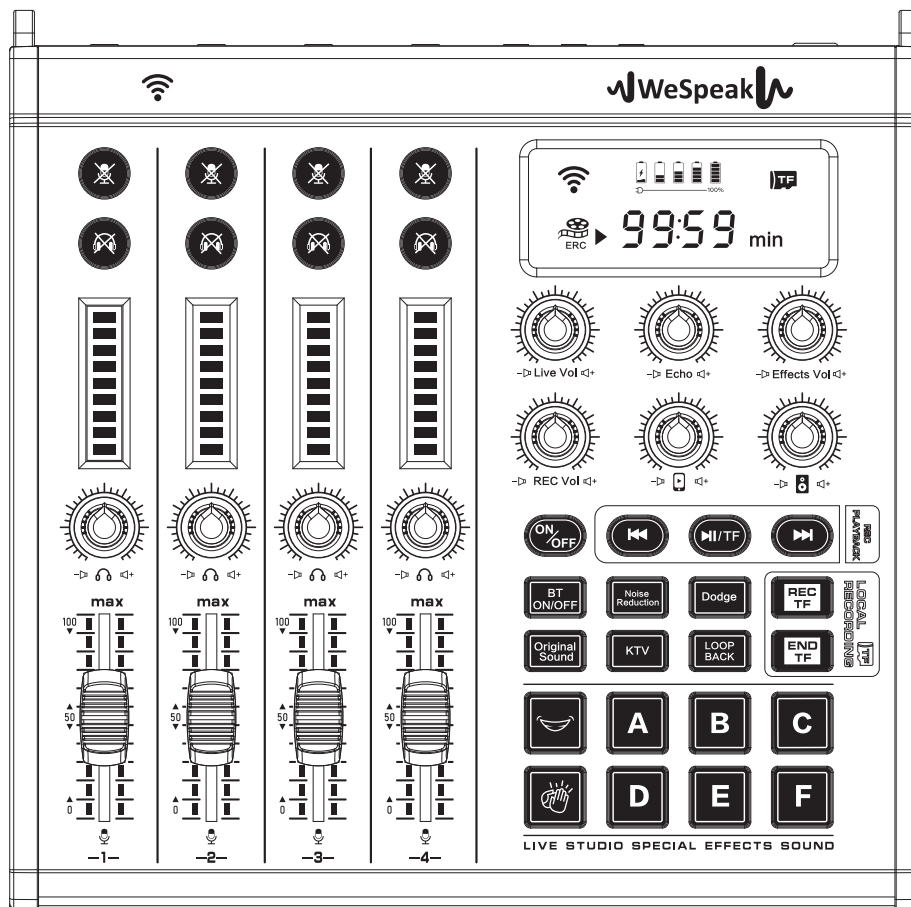


NUMETIS WESPEAK

NUM-WSP-11

24-bit
TECHNOLOGY



PARAMETERS

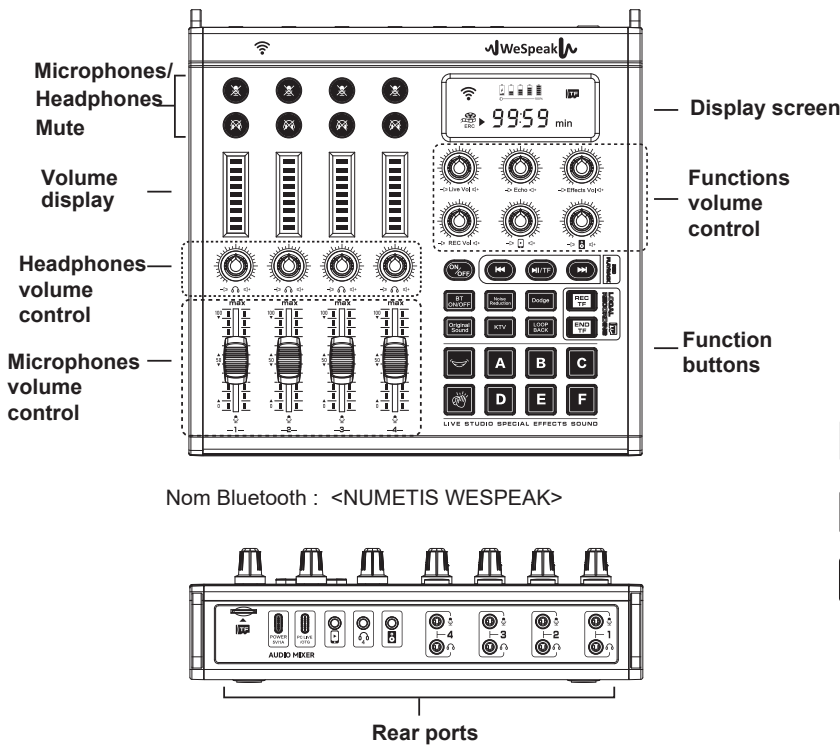
OTG	Windows/Android/ios/macOS
Frequency Response	20Hz-20Khz
Sampling Rate	ADC48Khz/24bit
SNR	≥105 dB
Headphones	>80mW 16ohm/32ohm
Distorsion	<-86 dB
Power Input	DC 5V/2A
Recording	Stereo
Playback	Stereo
Bluetooth	V5.0, compatible V4.2 / V2.1+EDR
Battery capacity	3000mAh >10h
Product weight	≈ 780 g

Thank you for choosing our product.

This product is a complete professional digital audio broadcasting system designed for high-quality audio recording, live streaming, and a wide range of event applications. It features a dual-core / dual-chip architecture, 24-bit / 48 kHz bidirectional audio sampling, an OTG interface, four independent microphone inputs, and four headphone outputs.

Wireless connectivity allows background music to be added to recordings, while local storage via a microSD card enables you to save and replay your best recordings at any time.

User Manual



1. Power on



To power on the device, press and hold the ON/OFF button for 3 seconds; the indicator lights will turn on. To power off the device, press and hold the button again; the indicator lights will turn off.

2. Function Button Description



Controls TF card playback, pause, and track switching (previous/next).



Press and hold the button to enable or disable Bluetooth. This mode applies no sound effects or enhancements.



Represents a mode without any sound effects or enhancements. Reverb can be adjusted using the knob.



Noise reduction generates “anti-noise” to cancel ambient sounds.



The background music volume is automatically and intelligently adjusted during live streaming or recording, ensuring a smooth and natural transition between voice and music. (This function is available only when background music is connected.)



Singing Mode: adds a reverb effect to make your singing sound more pleasant.



Audio played on the computer (music or other audio) can be input through the sound card via OTG and recorded by applications on the computer. If the monitoring function is turned off, the computer cannot record this portion of audio sent from the computer to the sound card.



When a TF memory card is inserted, ongoing recordings can be saved locally.



End Recording and Save

Record custom sound effects according to the user's preference and play them during live streaming or recording.

Operation Method for the 6 Custom Buttons:



Press and hold a button to start recording; the button light will flash to indicate recording is in progress. Each button can record up to 20 seconds. Repeat the same operation to overwrite the previous recording. .Short press to play a custom recording.



Add laughter effects during live streaming or recording.



Add applause effects during live streaming or recording

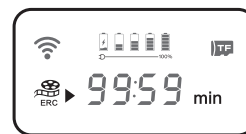


Press the button to mute this microphone channel.



Press the button to mute this headphone channel.

Screen display



Indicates that the device needs to be charged.



Indicates that the device is fully charged.



The numbers indicate the recording time or playback time.



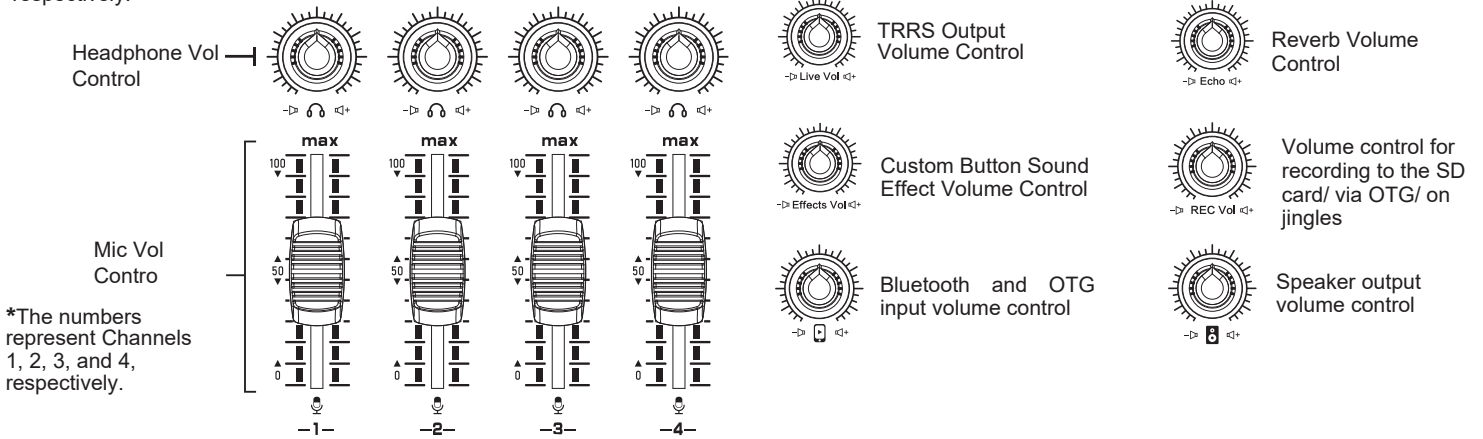
Flashing indicates not connected, steady on indicates connected, and off indicates BT is turned off..



When the light is on, it indicates that a TF memory card has been inserted. When the light is off, no TF card is inserted. (Note: The light will only turn on when a readable TF card is detected.)

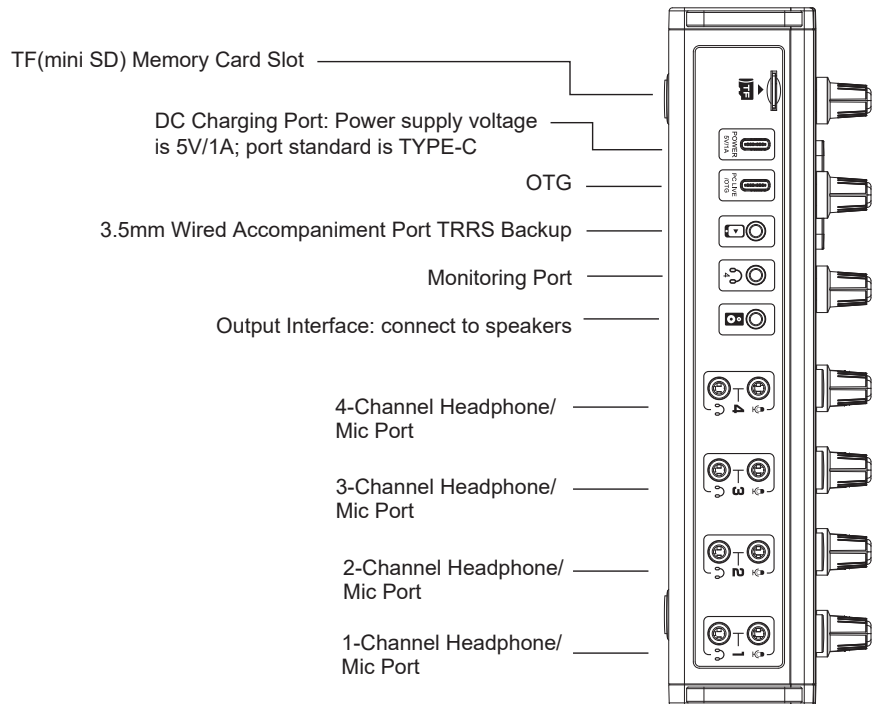
Knob Instructions

*Red / Blue / Orange / Green represent Channels 1, 2, 3, and 4, respectively.

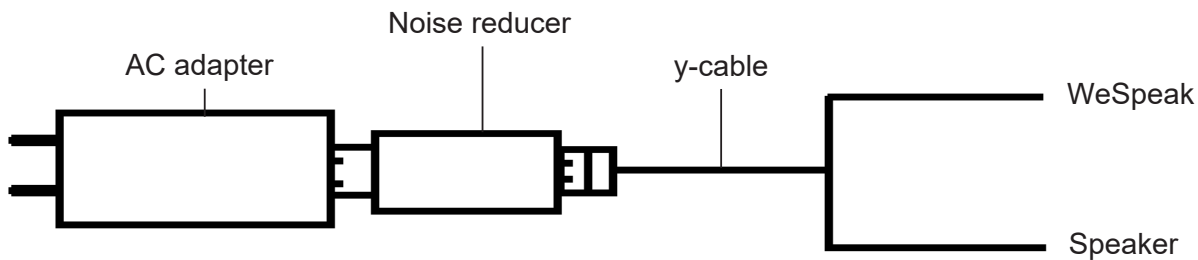


Connection Guide

Note : The microphones must be connected before starting the Wespeak in order for them to be detected by it.



Power connection:



Power supply noise is common and can propagate through USB or 3.5 mm jack cables. This is why we have included a USB noise reducer, which helps to almost completely eliminate these interferences. However, the ideal operating mode of the NUMETIS WeSpeak is to use it disconnected from mains power. In this case, if you also wish to use the NUMETIS WeSpeak speaker, you can connect it to an external battery.

External battery: not included.



Scan this QR code to access a getting started video.

Or via this link: <https://www.numetis.net/general-5>

Educational Tool – School Web Radio

This device is an educational tool intended for pedagogical use in a school environment, particularly for the development of oral expression, communication skills, and supervised educational projects. It is not a toy within the meaning of European Directive 2009/48/EC.

Supervision and Recommended Age

Use under the responsibility and supervision of an adult (teacher or educational staff). Recommended age: from 6 years old.

Safety Warning

This device contains electronic components. It is intended for use in a supervised school setting and must not be used freely by young children. Ensure that the volume is set to the minimum when starting the NUMETIS WeSpeak to avoid any risk of hearing damage.

This product complies with the applicable requirements for electronic equipment and educational use. The content broadcast remains the responsibility of the users.

DESIGNED IN FRANCE
PRODUCED IN RPC

NUMETIS

45 rue Guglielmo Marconi
37310 Tauxigny St Bauld

Product Name: NUMETIS WESPEAK
Product Ref: NUM-WSP-11

